

Kiwami® Renesse® Single-handle Lavatory Faucet

FEATURES

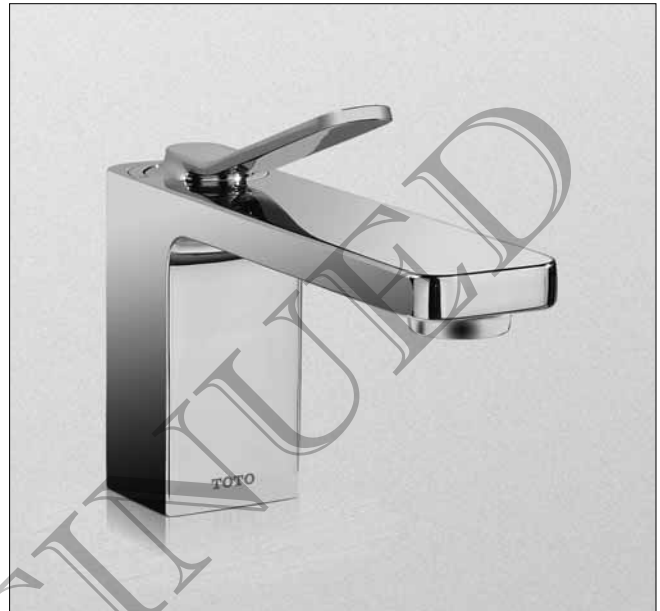
- Durable brass construction
- Washerless ceramic disk valve cartridge
- Metal pop-up waste assembly

COLORS/FINISHES

- #CP Polished Chrome

CODES/STANDARDS

- Meets or exceeds ASME A112.18.1/CSA B125.1, NSF 61-9
- Certifications: IAPMO(cUPC), State of Massachusetts, City of Los Angeles, and others
- Code Compliance: UPC, IPC, NSPC, NPC Canada, and others
- ADA compliant



PRODUCT SPECIFICATION

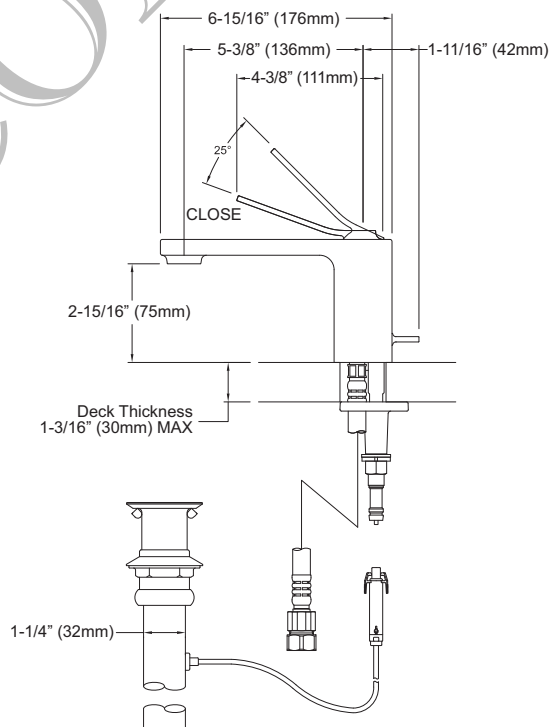
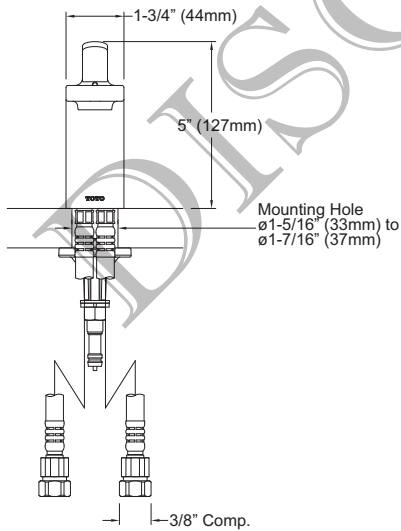
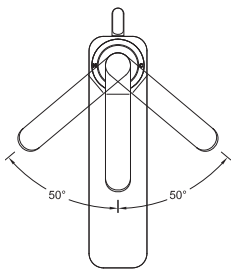
The single-handle lavatory faucet shall have durable brass construction and a ceramic disk valve cartridge. Shall also include pop-up drain. Product shall be TOTO Model TL170SD_____.

TL170SD

Kiwami® Renesse® Single-handle Lavatory Faucet

SPECIFICATIONS

- Warranty Lifetime Limited Warranty (Residential Use)
One Year (Commercial Use)
- Material Brass
- Shipping Weight 8.0 lbs.
- Shipping Dimensions 20-1/2" L x 10"W x 3-1/2" H
- Maximum Flow Rate 2.2 gpm (8.3 lpm)



TOTO®

These dimensions and specifications are subject to change without notice